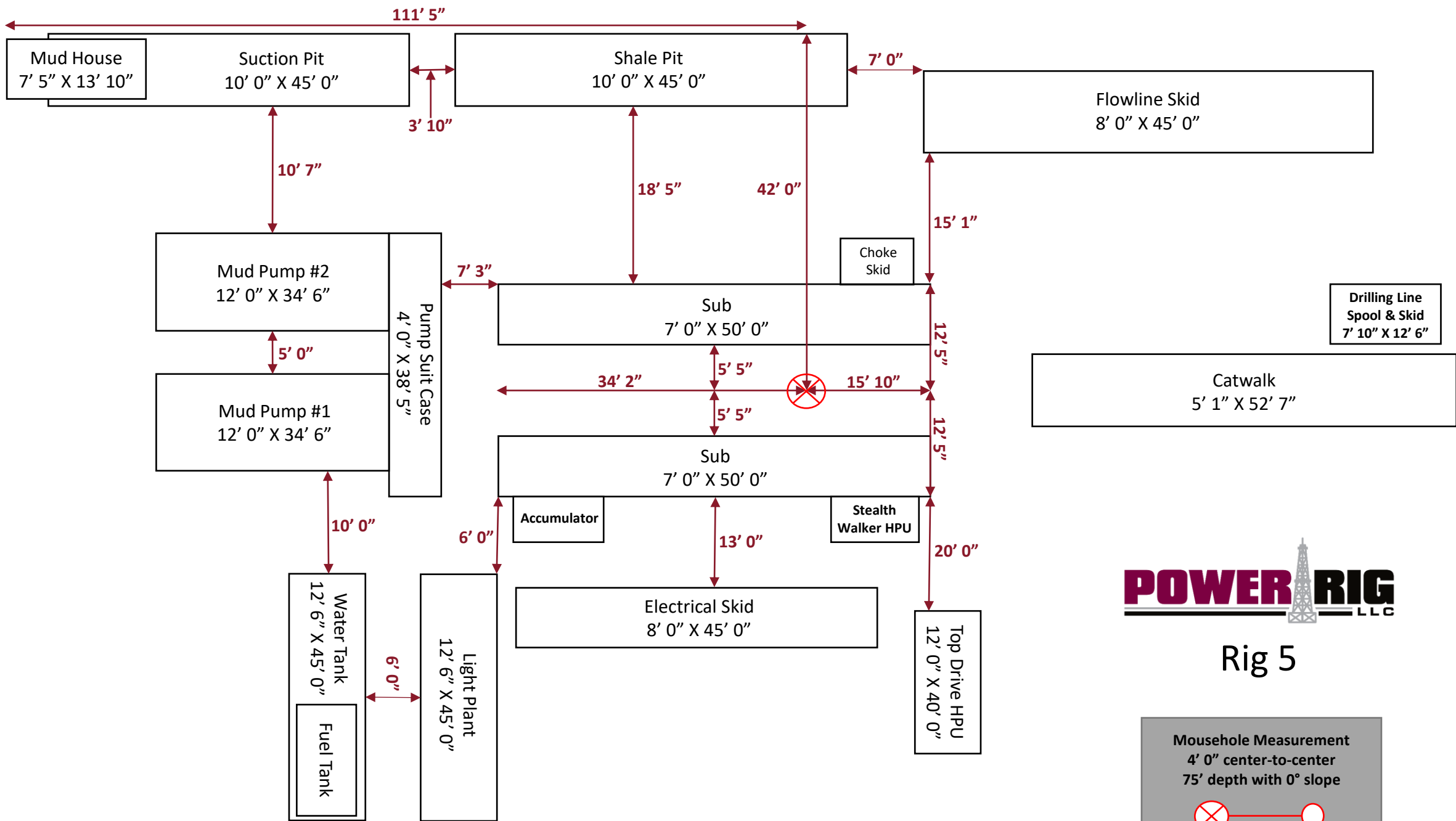


150' From Edge of Location to Wellbore

165' From Edge of Location to Wellbore



### Rig 5

**Mousehole Measurement**  
 4' 0" center-to-center  
 75' depth with 0° slope

150' From Edge of Location to Wellbore