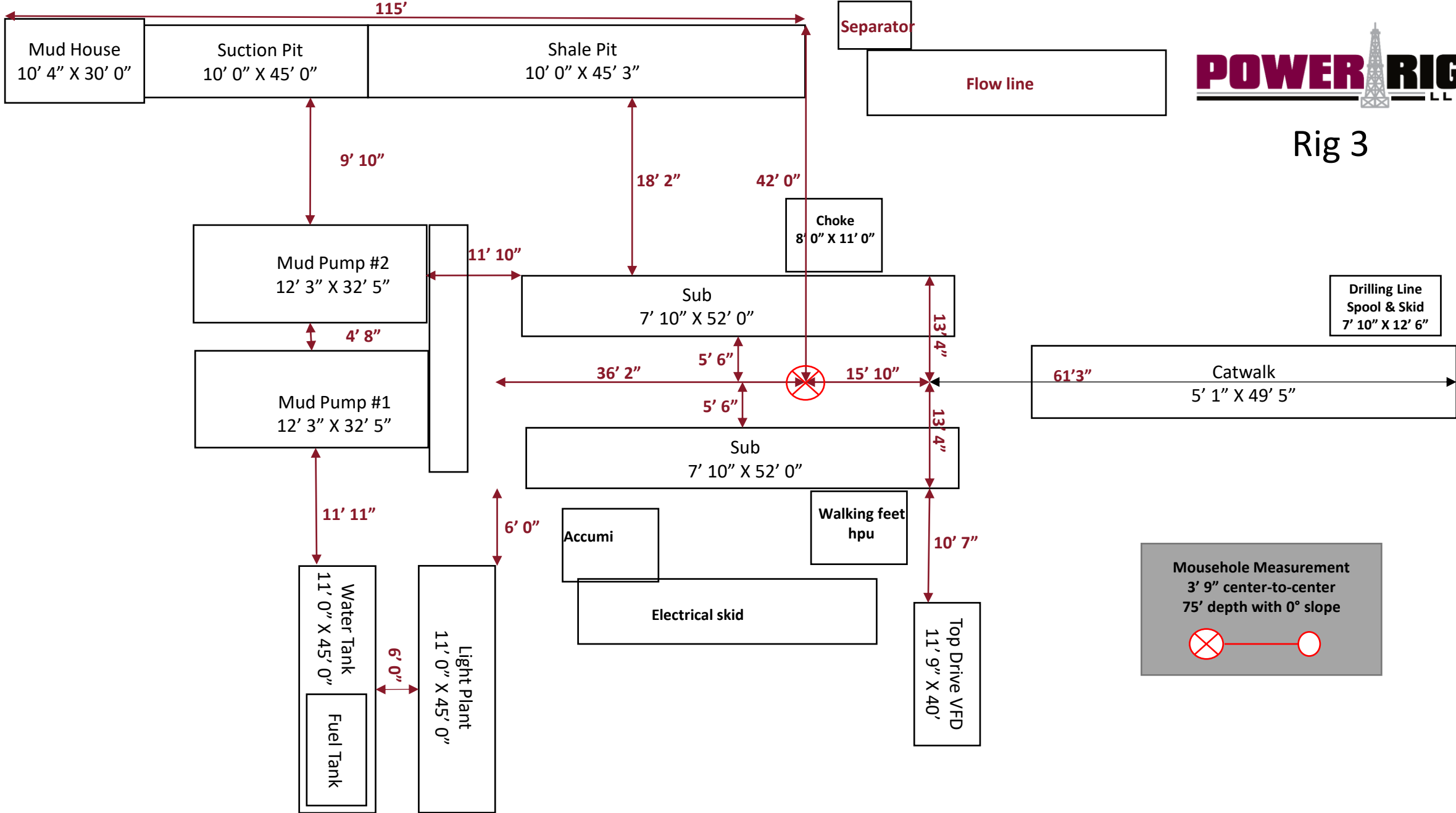



# Rig 3



**Mousehole Measurement**  
 3' 9" center-to-center  
 75' depth with 0° slope



150' From Edge of Location to Wellbore

165' From Edge of Location to Wellbore

150' From Edge of Location to Wellbore