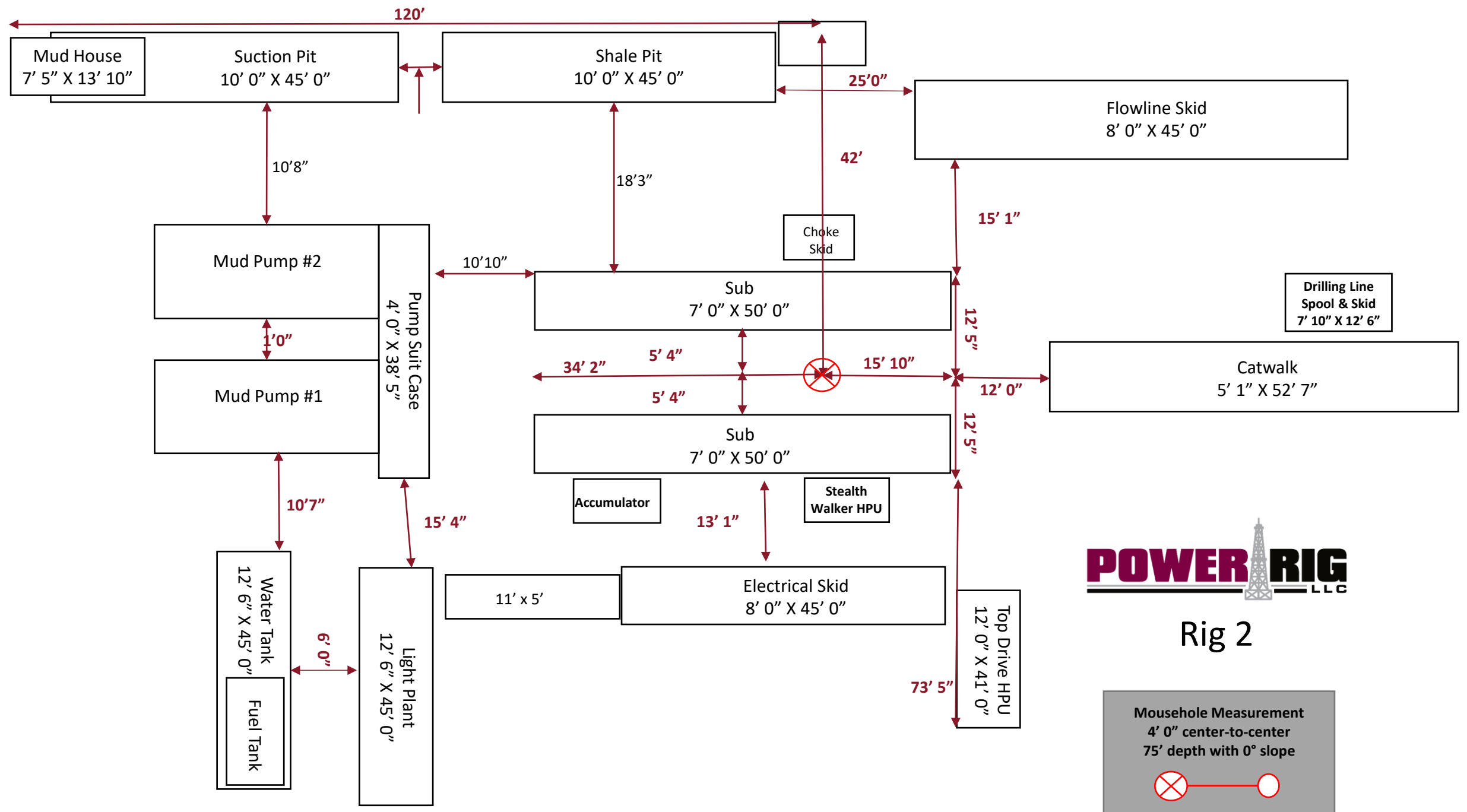


150' From Edge of Location to Wellbore

165' From Edge of Location to Wellbore



Rig 2

Mousehole Measurement
 4' 0" center-to-center
 75' depth with 0° slope

150' From Edge of Location to Wellbore