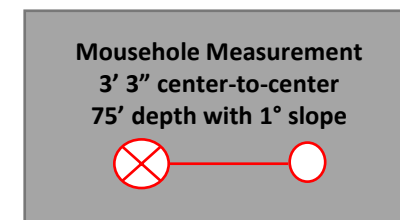
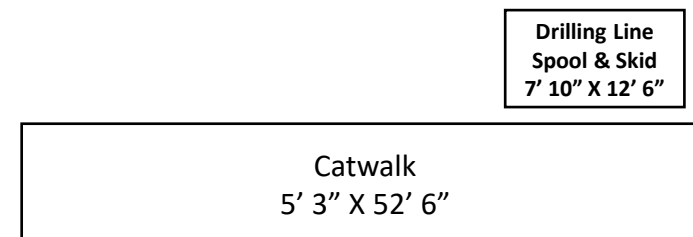
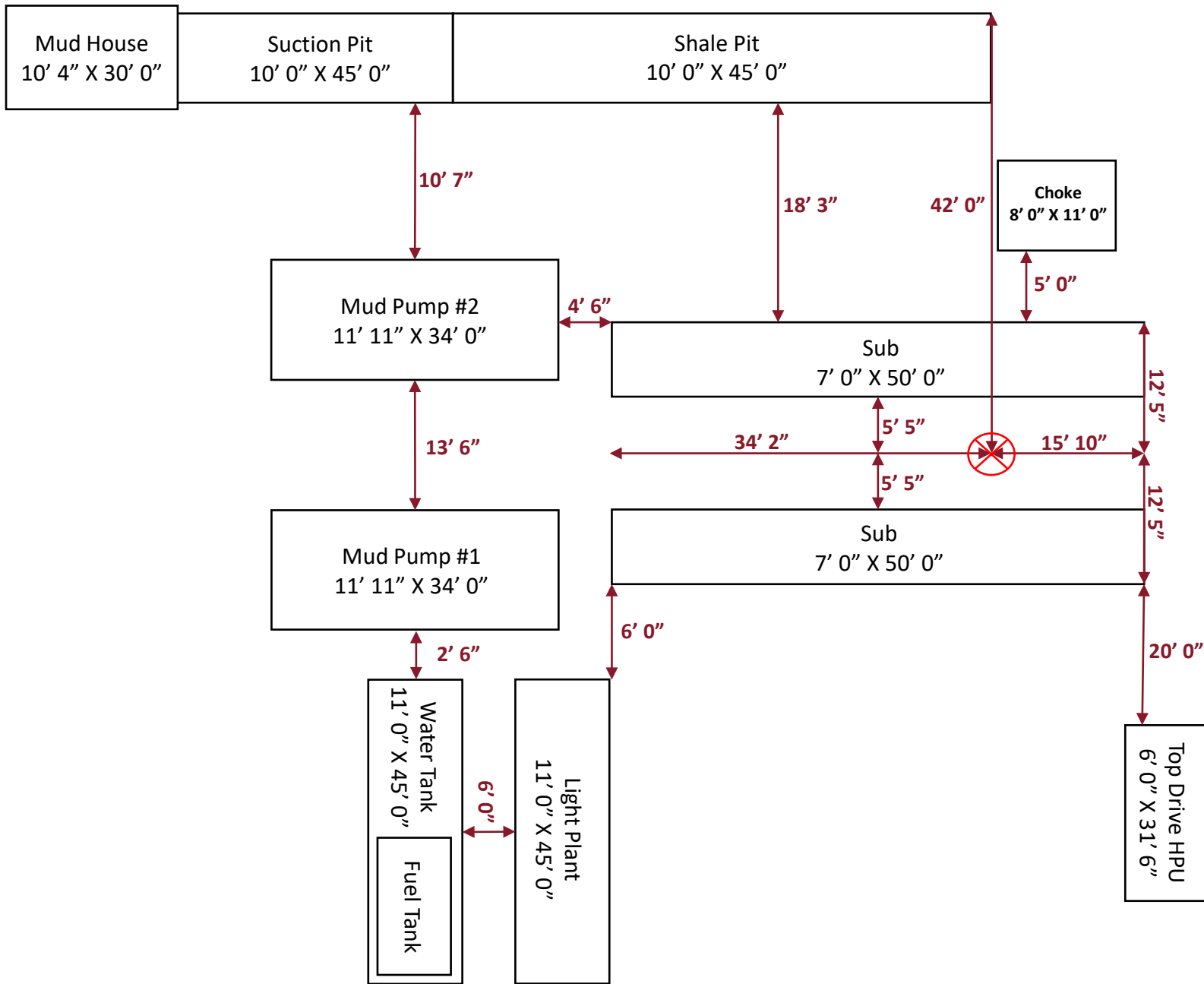




Rig 1

150' From Edge of Location to Wellbore

165' From Edge of Location to Wellbore



150' From Edge of Location to Wellbore